

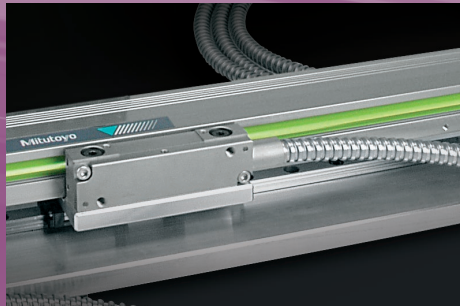
INTEGRATED SCALE UNITS LINEAR SCALES MULTIFUNCTION DISPLAYS



Integrated Scale Units



Linear Scales



Multifunction Displays



Contents

Integrated Scale Units

ABSOLUTE Digimatic Coolant Proof Scale H-04

ABSOLUTE Digimatic Scales H-05

Linear Scales

AT103 Standard Spar Linear Scale H-07

AT116 Slim Spar Economy Linear Scale H-09

AT112-F Super Slim Spar Linear Scale H-10

AT715 ABSOLUTE Coolant Proof Linear Scale H-11

Multifunction Displays

2/3-Axis KA Counters H-12

Integrated Scale Units

SERIES 572 – ABSOLUTE Digimatic Scales

EC Counter

This Display Unit with GONG judgement function offers a large LED display for a Digimatic Scale Unit. The bright LED readout is ideal for low-light situations or when the scale unit must be positioned where its own display cannot be viewed directly

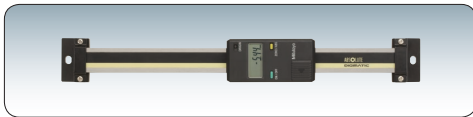
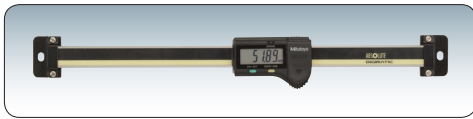


EC counter: 542-007E

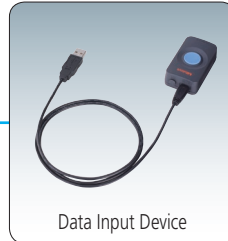
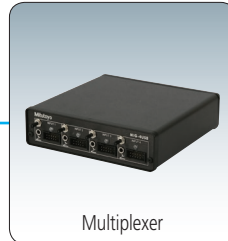
Coolant Proof Scale Unit



Single-Function Type Scale Unit



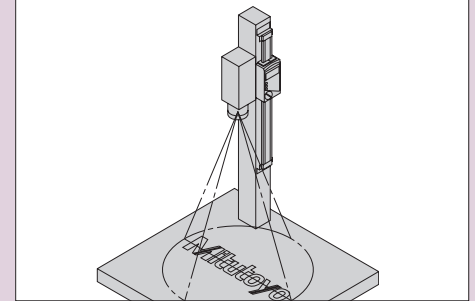
Multi-Function Type Scale Unit



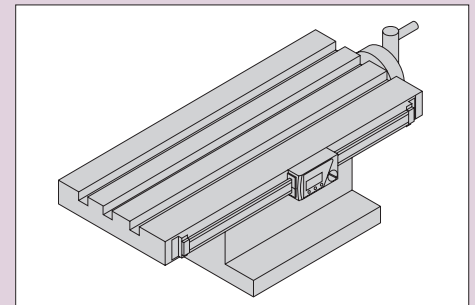
Mitutoyo's ABSOLUTE Digimatic Scale Units can be installed on almost any equipment, offering the user precise linear measurement capability with the added benefits of LCD readout and output for recording data and SPC.

Applications

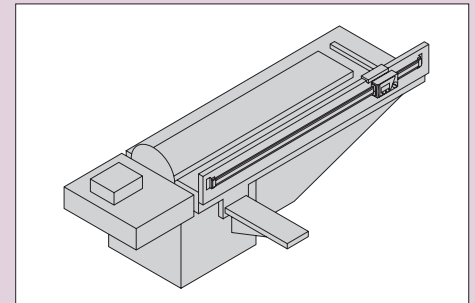
- Positioning of tables, etc., in adverse environments.
- Measuring equipment used on the workshop floor.
- Measurement of structure displacements.
- Positioning of machine tools.
- Measuring equipment used outside (in the rain).



Optical focussing.



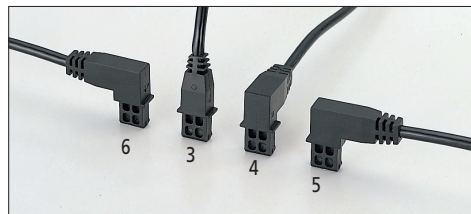
Positioning of machine tables.



Cutting machinery.

Specifications

Code No.	Description
05CZA624	1 m SPC data cable with pushbutton
05CZA625	2 m SPC data cable with pushbutton
959149	1 m SPC data cable with pushbutton
959150	2 m SPC data cable with pushbutton
905338	1 m SPC data cable
905409	2 m SPC data cable
905689	1 m SPC data cable
905690	2 m SPC data cable
905691	1 m SPC data cable
905692	2 m SPC data cable
905693	1 m SPC data cable
905694	2 m SPC data cable
936937	1 m SPC data cable
965014	2 m SPC data cable



Technical Data

Accuracy:	±0.03 mm (excluding quantizing error)
Resolution:	0005" /0.01 mm
Repeatability:	0.01 mm
Display:	LCD
Length standard:	ABSOLUTE electromagnetic induction linear encoder
Max. response speed:	Unlimited
Battery:	SR44 (1 pc.), 938882
Battery life:	Approx. 1.5 years under normal use
Dust/water protection level:	IP66
Functions:	Origin-set, zero-setting, automatic power on/off, data output, inch/mm conversion (inch/mm models)
Alarm:	Low voltage, measurement value composition error

Optional Accessories

Code No.	Description	Price
05CZA624	SPC data cable with pushbutton (1 m)	£67.30
05CZA625	SPC data cable with pushbutton (2 m)	£81.00

SERIES 572 – ABSOLUTE Digimatic Coolant Proof Scale

- Designed to capture positional coordinates from slides on machine tools and precision instruments; such as are incorporated in semiconductor production equipment, for example.
- The proprietary electromagnetic induction method used for detecting the position of the slider on the scale enables use in adverse environments subject to water and cutting oil mist and splashing.
- Specially designed output cables maintain the water resistant structure.
- No overspeed error since it uses an ABSOLUTE scale which does not depend on counting scale graduations.
- Once an absolute zero (origin) point is set, a Digimatic scale such as this always shows the absolute distance from this point when powered on rather than 0.00.
- With SPC data output.

ABSOLUTE IP66

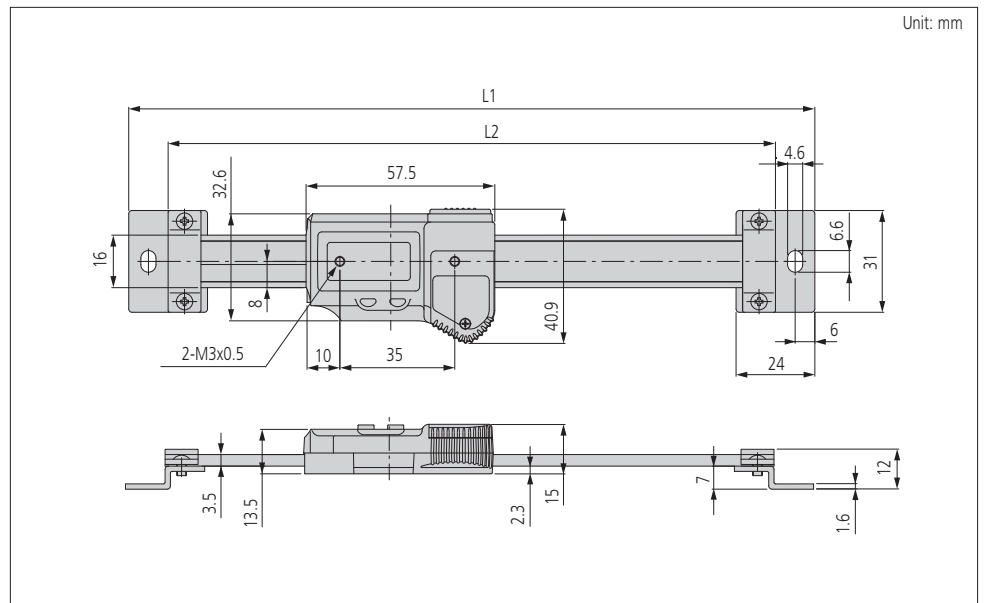


572-614

Specifications

Code No.	Range	Accuracy	L1	L2	Mass	Price
572-613	0 - 4" / 0 - 100 mm	.001" / 0.03 mm	209 mm	185 mm	0.39 kg	£214.00
572-614	0 - 6" / 0 - 150 mm	.001" / 0.03 mm	259 mm	235 mm	0.41 kg	£228.00
572-615	0 - 8" / 0 - 200 mm	.001" / 0.03 mm	311 mm	287 mm	0.43 kg	£253.00

Dimensions



Integrated Scale Units

SERIES 572 – ABSOLUTE Digimatic Scales

- Designed to capture positional coordinates from slides on machine tools and precision instruments; such as are incorporated in semiconductor production equipment, for example.
- The ORIGIN key allows setting of an absolute zero point to be used as reference in subsequent measurements. Once set, the ABS Digimatic Scale Unit is ready to show its true position whenever turned on rather than 0.00 as with standard models.
- The ZERO/ABS key allows the display to be zero-set at any slider position along the beam for incremental comparison measurements. This key will also allow return to absolute coordinates with a display of the true position from the origin point.
- No rack, no pinion, no glass scale. The Digimatic scale is safely embedded in the hardened stainless steel blade.
- All units come with two mounting brackets, each located at one end of the scale.
- With SPC data output.

ABSOLUTE

572-211-20 Horizontal single-function type



572-470 Horizontal multi-function type



Specifications

Single-function

Code No.	Range	Accuracy	L1	L2	Mass	Price
Horizontal type						
572-210-30	0-4" / 0-100 mm	.001" / 0.03 mm	209 mm	185 mm	0.23 kg	£174.00
572-211-20	0-6" / 0-150 mm	.001" / 0.03 mm	259 mm	235 mm	0.25 kg	£176.00
572-212-20	0-8" / 0-200 mm	.001" / 0.03 mm	311 mm	287 mm	0.27 kg	£212.00
572-213-10	0-12" / 0-300 mm	.002" / 0.04 mm	444 mm	420 mm	0.37 kg	£365.00
Vertical type						
572-310-10	0-4" / 0-100 mm	.001" / 0.03 mm	209 mm	185 mm	0.23 kg	£238.00
572-311-10	0-6" / 0-150 mm	.001" / 0.03 mm	259 mm	235 mm	0.25 kg	£252.00
572-312-10	0-8" / 0-200 mm	.001" / 0.03 mm	311 mm	287 mm	0.27 kg	£261.00
572-313-10	0-12" / 0-300 mm	.002" / 0.04 mm	444 mm	420 mm	0.37 kg	£412.00

Multi-function

Code No.	Range	Accuracy	L1	L2	Mass	Price
Horizontal type						
572-470	0-4" / 0-100 mm	.001" / 0.03 mm	244 mm	220 mm	0.25 kg	£381.00
572-471	0-6" / 0-150 mm	.001" / 0.03 mm	294 mm	270 mm	0.28 kg	£405.00
572-472	0-8" / 0-200 mm	.001" / 0.03 mm	344 mm	320 mm	0.31 kg	£417.00
572-473	0-12" / 0-300 mm	.002" / 0.04 mm	444 mm	420 mm	0.37 kg	£462.00
572-474	0-18" / 0-450 mm	.002" / 0.04 mm	594 mm	570 mm	0.76 kg	£543.00
572-475	0-24" / 0-600 mm	.002" / 0.04 mm	774 mm	750 mm	0.90 kg	£621.00
572-476	0-32" / 0-800 mm	.0025" / 0.06 mm	974 mm	950 mm	1.71 kg	£1010.00
572-477	0-40" / 0-1000 mm	.0025" / 0.07 mm	1174 mm	1150 mm	2.04 kg	£1130.00
Vertical type						
572-570	0-4" / 0-100 mm	.001" / 0.03 mm	244 mm	220 mm	0.25 kg	£381.00
572-571	0-6" / 0-150 mm	.001" / 0.03 mm	294 mm	270 mm	0.28 kg	£405.00
572-572	0-8" / 0-200 mm	.001" / 0.03 mm	344 mm	320 mm	0.31 kg	£417.00
572-573	0-12" / 0-300 mm	.002" / 0.04 mm	444 mm	420 mm	0.37 kg	£462.00
572-574	0-18" / 0-450 mm	.002" / 0.04 mm	594 mm	570 mm	0.76 kg	£543.00
572-575	0-24" / 0-600 mm	.002" / 0.04 mm	774 mm	750 mm	0.90 kg	£621.00
572-576	0-32" / 0-800 mm	.0025" / 0.06 mm	974 mm	950 mm	1.71 kg	£1010.00
572-577	0-40" / 0-1000 mm	.0025" / 0.07 mm	1174 mm	1150 mm	2.04 kg	£1130.00

Technical Data

Accuracy:	Refer to the list of specifications (excluding quantizing error)
Resolution:	.0005" / 0.01 mm
Display:	LCD
Length standard:	ABSOLUTE electrostatic capacitance type linear encoder
Max. response speed:	Unlimited
Battery:	SR44 (1 pc.), 938882
Battery life:	Approx. 3.5 years under normal use
Functions:	Origin-set, zero-setting, power on/off, presetting, data hold, data output, inch/mm conversion (inch/mm models), measurement direction switching*
Alarm:	Low voltage, measurement value composition error.

* Not available for single-function models



572-310-10
Vertical
single-function type

572-571
Vertical
multi-function type

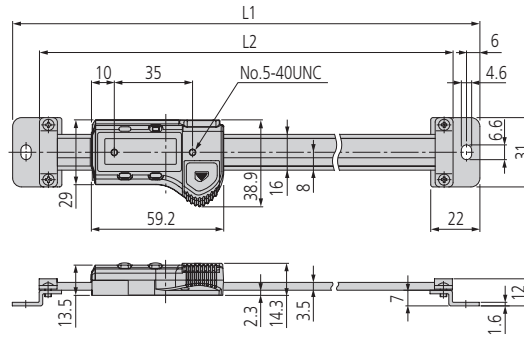
Optional Accessories

Code No.	Description	Price
905338	SPC data cable (1 m, standard)	£32.90
905409	SPC data cable (2 m, standard)	£36.80
905689	SPC data cable (1 m, L-shape, back)	£32.90
905690	SPC data cable (2 m, L-shape, back)	£45.20
905691	SPC data cable (1 m, L-shape, right)	£32.90
905692	SPC data cable (2 m, L-shape, right)	£45.20
905693	SPC data cable (1 m, L-shape, left)	£32.90
905694	SPC data cable (2 m, L-shape, left)	£45.20
959143	Data hold unit*	£19.60
959149	SPC data cable with pushbutton (1 m)*	£34.60
959150	SPC data cable with pushbutton (2 m)*	£39.40

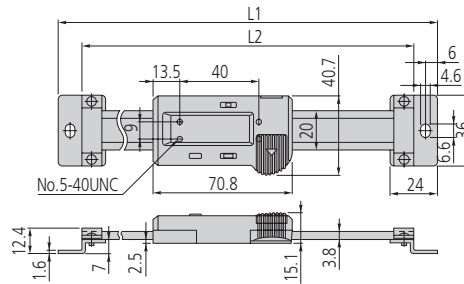
* Only for single-function models.

Dimensions

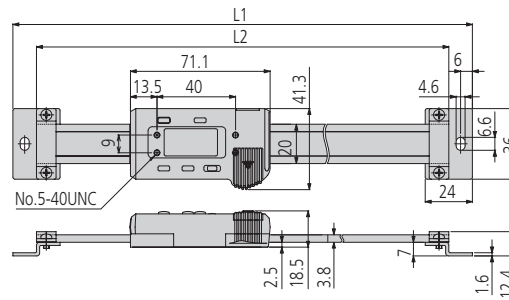
Single-function horizontal type, range: 100-200 mm.



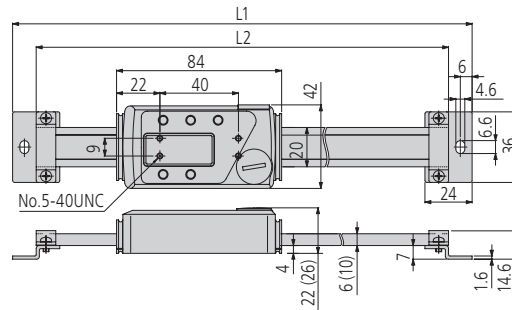
Single-function horizontal type, range: 300 mm.



Multi-function horizontal type (range: 100-300 mm)



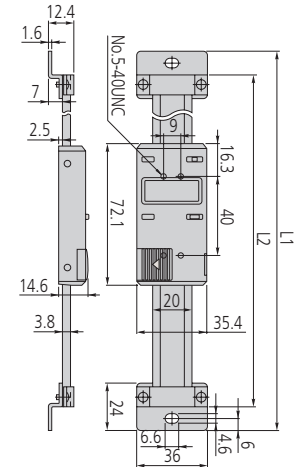
Multi-function horizontal type, range: 450-1000 mm.



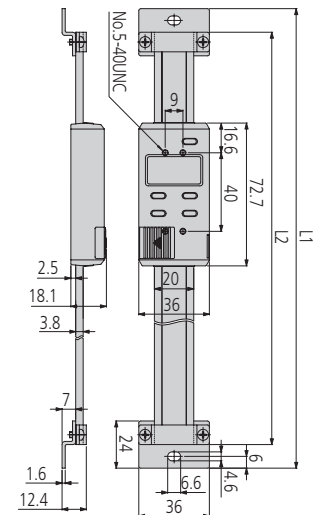
() 0-800 mm/0-32" range and above only.

Unit: mm

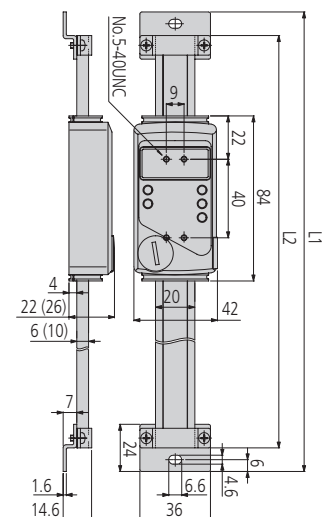
Single-function vertical type, range: 100-300 mm.



Multi-function vertical type, range: 100-300 mm.



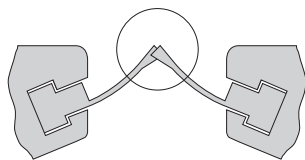
Multi-function vertical type, range: 450-1000 mm.



Linear Scales

SERIES 539 – AT103 Standard Spar Linear Scale

- Designed to capture positional coordinates from slides on machine tools and precision instruments; such as are incorporated in semiconductor production equipment, for example.
- The innovative rubber lips keep out contaminants on a machine shop.
- Enhanced vibration resistance and durability.
- An armoured signal cable is used to connect the scale unit to the DRO counter for safe operation in harsh shop environments.
- The signal cable outlet can be positioned on either side of the slider so the signal cable can be connected from either direction.



Technical Data

Effective range:	100 - 6000 mm
Output waveform:	Two 90° phase-shifted sinusoidal signals
Max. response speed:	120 m/min. (up to 3000 mm) 50 m/min. (3250 mm and over)
Scale grating pitch:	20 µm
Scale reference point pitch:	50 mm
Dust/water protection level:	IP53
Operating temperature:	0°C to 45°C

Optional Accessories

Code No.	Description	Price
09AAA033A	Extension cable (2 m)	£187.00
09AAA033B	Extension cable (5 m)	£263.00
09AAA033C	Extension cable (7 m)	£310.00



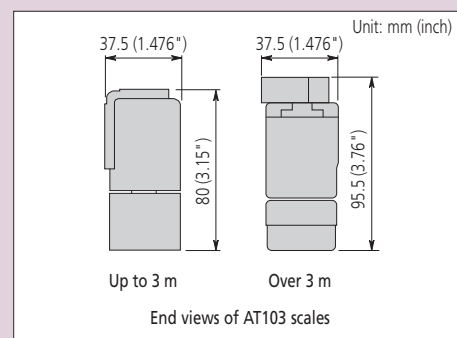
Specifications

High-accuracy type

Code No.	Range	Accuracy at 20°C*	Signal cable length	Price
539-111-40	100 mm (4")	(3+3L/1000) µm	3 m	£305.00
539-112-40	150 mm (6")	(3+3L/1000) µm	3 m	£311.00
539-113-40	200 mm (8")	(3+3L/1000) µm	3 m	£317.00
539-114-40	250 mm (10")	(3+3L/1000) µm	3 m	£322.00
539-115-40	300 mm (12")	(3+3L/1000) µm	3 m	£328.00
539-116-40	350 mm (14")	(3+3L/1000) µm	3 m	£340.00
539-117-40	400 mm (16")	(3+3L/1000) µm	3 m	£345.00
539-118-40	450 mm (18")	(3+3L/1000) µm	3 m	£357.00
539-119-40	500 mm (20")	(3+3L/1000) µm	3 m	£368.00
539-121-40	600 mm (24")	(3+3L/1000) µm	3 m	£409.00
539-123-40	700 mm (28")	(3+3L/1000) µm	3 m	£420.00
539-124-40	750 mm (30")	(3+3L/1000) µm	3 m	£432.00
539-125-40	800 mm (32")	(3+3L/1000) µm	3 m	£443.00
539-126-40	900 mm (36")	(3+3L/1000) µm	3 m	£460.00
539-127-40	1000 mm (40")	(3+3L/1000) µm	5 m	£483.00
539-128-40	1100 mm (44")	(3+3L/1000) µm	5 m	£506.00
539-129-40	1200 mm (48")	(3+3L/1000) µm	5 m	£524.00
539-130-40	1300 mm (52")	(3+3L/1000) µm	5 m	£547.00
539-131-40	1400 mm (56")	(3+3L/1000) µm	5 m	£570.00
539-132-40	1500 mm (60")	(3+3L/1000) µm	5 m	£587.00
539-133-40	1600 mm (64")	(3+3L/1000) µm	5 m	£886.00
539-134-40	1700 mm (68")	(3+3L/1000) µm	5 m	£932.00
539-135-40	1800 mm (72")	(3+3L/1000) µm	5 m	£972.00
539-136-40	2000 mm (80")	(3+3L/1000) µm	5 m	£1070.00

* L = Effective range (mm).

Dimensions



Specifications

Standard type				
Code No.	Range	Accuracy at 20°C*	Signal cable length	Price
539-111-30	100 mm (4")	(5+5L/1000) µm	3 m	£426.00
539-112-30	150 mm (6")	(5+5L/1000) µm	3 m	£374.00
539-113-30	200 mm (8")	(5+5L/1000) µm	3 m	£383.00
539-114-30	250 mm (10")	(5+5L/1000) µm	3 m	£391.00
539-115-30	300 mm (12")	(5+5L/1000) µm	3 m	£400.00
539-116-30	350 mm (14")	(5+5L/1000) µm	3 m	£414.00
539-117-30	400 mm (16")	(5+5L/1000) µm	3 m	£434.00
539-118-30	450 mm (18")	(5+5L/1000) µm	3 m	£448.00
539-119-30	500 mm (20")	(5+5L/1000) µm	3 m	£469.00
539-121-30	600 mm (24")	(5+5L/1000) µm	3 m	£501.00
539-123-30	700 mm (28")	(5+5L/1000) µm	3 m	£578.00
539-124-30	750 mm (30")	(5+5L/1000) µm	3 m	£592.00
539-125-30	800 mm (32")	(5+5L/1000) µm	3 m	£615.00
539-126-30	900 mm (36")	(5+5L/1000) µm	3 m	£749.00
539-127-30	1000 mm (40")	(5+5L/1000) µm	5 m	£789.00
539-128-30	1100 mm (44")	(5+5L/1000) µm	5 m	£809.00
539-129-30	1200 mm (48")	(5+5L/1000) µm	5 m	£884.00
539-130-30	1300 mm (52")	(5+5L/1000) µm	5 m	£937.00
539-131-30	1400 mm (56")	(5+5L/1000) µm	5 m	£1020.00
539-132-30	1500 mm (60")	(5+5L/1000) µm	5 m	£1030.00
539-133-30	1600 mm (64")	(5+5L/1000) µm	5 m	£1040.00
539-134-30	1700 mm (68")	(5+5L/1000) µm	5 m	£1060.00
539-135-30	1800 mm (72")	(5+5L/1000) µm	5 m	£1070.00
539-136-30	2000 mm (80")	(5+5L/1000) µm	5 m	£1100.00
539-137-30	2200 mm (88")	(5+5L/1000) µm	5 m	£1120.00
539-138-30	2400 mm (96")	(5+5L/1000) µm	7 m	£1210.00
539-139-30	2500 mm (100")	(5+5L/1000) µm	7 m	£1250.00
539-140-30	2600 mm (104")	(5+5L/1000) µm	7 m	£1280.00
539-141-30	2800 mm (112")	(5+5L/1000) µm	7 m	£1400.00
539-142-30	3000 mm (120")	(5+5L/1000) µm	7 m	£1500.00
539-143-30	3250 mm (130")	(5+8L/1000) µm	10 m	£2120.00
539-144-30	3500 mm (140")	(5+8L/1000) µm	10 m	£2200.00
539-145-30	3750 mm (150")	(5+8L/1000) µm	10 m	£2360.00
539-146-30	4000 mm (160")	(5+8L/1000) µm	10 m	£2490.00
539-147-30	4250 mm (170")	(5+8L/1000) µm	10 m	£2630.00
539-148-30	4500 mm (180")	(5+8L/1000) µm	10 m	£2780.00
539-149-30	4750 mm (190")	(5+8L/1000) µm	15 m	£2870.00
539-150-30	5000 mm (200")	(5+8L/1000) µm	15 m	£2990.00
539-151-30	5250 mm (210")	(5+8L/1000) µm	15 m	£3110.00
539-152-30	5500 mm (220")	(5+8L/1000) µm	15 m	£3220.00
539-153-30	5750 mm (230")	(5+8L/1000) µm	15 m	£3350.00
539-154-30	6000 mm (240")	(5+8L/1000) µm	15 m	£3450.00

* L = Effective range (mm).

Linear Scales

SERIES 539 – AT116 Slim Spar Economy Linear Scale

- Designed to capture positional coordinates from slides on machine tools and precision instruments; such as are incorporated in semiconductor production equipment, for example.
- Suitable for milling machines, XY tables, jigs, etc.

IP53

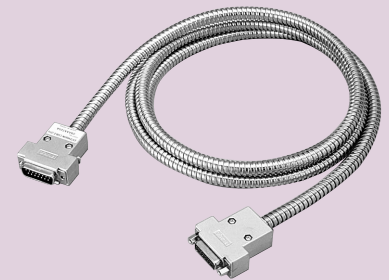


Technical Data

Effective range: 100 - 1500 mm
 Output waveform: Two 90° phase-shifted sinusoidal signals
 Max. response speed: 50 m/min.
 Scale grating pitch: 20 µm
 Scale reference point pitch: 50 mm
 Dust/water protection level: IP53
 Operating temperature: 0°C to 45°C

Optional Accessories

Code No.	Description	Price
09AAA720A	Extension cable (2 m)	£125.00
09AAA720B	Extension cable (5 m)	£180.00
09AAA720C	Extension cable (7 m)	£187.00

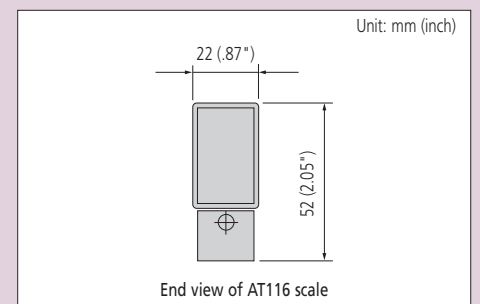


Specifications

Code No.	Range	Accuracy at 20°C*	Signal cable length	Price
539-271-30	100 mm (4")	(5+5L/1000) µm	3.5 m	£238.00
539-272-30	150 mm (6")	(5+5L/1000) µm	3.5 m	£242.00
539-273-30	200 mm (8")	(5+5L/1000) µm	3.5 m	£244.00
539-274-30	250 mm (10")	(5+5L/1000) µm	3.5 m	£247.00
539-275-30	300 mm (12")	(5+5L/1000) µm	3.5 m	£250.00
539-276-30	350 mm (14")	(5+5L/1000) µm	3.5 m	£251.00
539-277-30	400 mm (16")	(5+5L/1000) µm	3.5 m	£252.00
539-278-30	450 mm (18")	(5+5L/1000) µm	3.5 m	£253.00
539-279-30	500 mm (20")	(5+5L/1000) µm	3.5 m	£260.00
539-281-30	600 mm (24")	(5+5L/1000) µm	3.5 m	£266.00
539-283-30	700 mm (28")	(5+5L/1000) µm	3.5 m	£268.00
539-284-30	750 mm (30")	(5+5L/1000) µm	3.5 m	£273.00
539-285-30	800 mm (32")	(5+5L/1000) µm	3.5 m	£279.00
539-286-30	900 mm (36")	(5+5L/1000) µm	3.5 m	£287.00
539-287-30	1000 mm (40")	(5+5L/1000) µm	5 m	£302.00
539-288-30	1100 mm (44")	(5+5L/1000) µm	5 m	£317.00
539-289-30	1200 mm (48")	(5+5L/1000) µm	5 m	£335.00
539-290-30	1300 mm (52")	(5+5L/1000) µm	5 m	£357.00
539-291-30	1400 mm (56")	(5+5L/1000) µm	5 m	£374.00
539-292-30	1500 mm (60")	(5+5L/1000) µm	5 m	£399.00

* L = Effective range (mm).

Dimensions

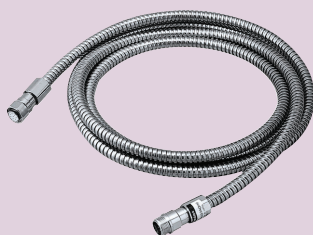


Technical Data

Effective range:	50 - 1020 mm
Output waveform:	Two 90° phase-shifted sinusoidal signals
Max. response speed:	72 m/min.
Scale grating pitch:	20 µm
Scale reference point pitch:	50 mm
Dust/water protection level:	IP53
Operating temperature:	0°C to 45°C

Optional Accessories

Code No.	Description	Price
09AAA033A	Extension cable (2 m)	£187.00
09AAA033B	Extension cable (5 m)	£263.00
09AAA033C	Extension cable (7 m)	£310.00



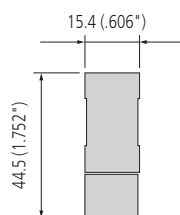
SERIES 539 – AT112-F Super Slim Spar Linear Scale

- Designed to capture positional coordinates from slides on machine tools and precision instruments; such as are incorporated in semiconductor production equipment, for example.
- Suitable for milling machines, XY tables, jigs, etc.



Dimensions

Unit: mm (inch)



End view of AT112-F scale

Specifications

Code No.	Range	Accuracy at 20°C*	Signal cable length	Price
539-251-10	50 mm (1.5")	(3+3L/1000) µm	3 m	£546.00
539-252-10	70 mm (2.5")	(3+3L/1000) µm	3 m	£455.00
539-253-10	120 mm (4.5")	(3+3L/1000) µm	3 m	£455.00
539-254-10	170 mm (6.5")	(3+3L/1000) µm	3 m	£478.00
539-255-10	220 mm (8.5")	(3+3L/1000) µm	3 m	£485.00
539-256-10	270 mm (10.5")	(3+3L/1000) µm	3 m	£485.00
539-257-10	320 mm (12.5")	(3+3L/1000) µm	3 m	£506.00
539-258-10	370 mm (14.5")	(3+3L/1000) µm	3 m	£512.00
539-259-10	420 mm (16.5")	(3+3L/1000) µm	3 m	£524.00
539-260-10	470 mm (18.5")	(3+3L/1000) µm	3 m	£535.00
539-261-10	520 mm (20")	(3+3L/1000) µm	3 m	£556.00
539-262-10	570 mm (22")	(3+3L/1000) µm	3 m	£579.00
539-263-10	620 mm (24")	(3+3L/1000) µm	3 m	£596.00
539-264-10	670 mm (26")	(3+3L/1000) µm	3 m	£631.00
539-265-10	720 mm (28")	(3+3L/1000) µm	3 m	£651.00
539-266-10	770 mm (30")	(3+3L/1000) µm	3 m	£682.00
539-267-10	820 mm (32")	(3+3L/1000) µm	3 m	£717.00
539-268-10	920 mm (36")	(3+3L/1000) µm	3 m	£817.00
539-269-10	1020 mm (40")	(3+3L/1000) µm	3 m	£909.00

* L = Effective range (mm).

Linear Scales

SERIES 539 – AT715 ABSOLUTE Coolant Proof Linear Scale

- Designed to capture positional coordinates from slides on machine tools and precision instruments; such as are incorporated in semiconductor production equipment, for example.
- Uses an ABSOLUTE electromagnetic induction system to achieve IP67 environmental resistance.
- Detects and outputs the absolute position – no reference point setup needed at each power-on.
- Abnormal calculations do not occur as a result of electrical noise.
- Very suitable scale for mounting on the X axis of a lathe. The scale main unit has 2 mounting directions for easy installation on machine tools with difficult mounting positions.

ABSOLUTE



Safety
Dust- and
Water-
Protected
www.turk.com
ID: 9000001295



Technical Data

Effective range: 100 - 3000 mm
 Measurement method: Electromagnetic induction system
 Max. response speed: 50 m/min.
 Scale grating pitch: 20 µm
 Dust/water protection level: IP67
 Operating temperature: 0°C to 45°C

Optional Accessories

Code No.	Description	Price
09AAB674A	Extension cable (2 m)	£187.00
09AAB674B	Extension cable (5 m)	£263.00
09AAB674C	Extension cable (7 m)	£310.00



Specifications

Code No.	Range	Accuracy at 20°C*	Signal cable length	Price
539-801	100 mm (4")	±5 µm	3.5 m	£238.00
539-802	150 mm (6")	±5 µm	3.5 m	£242.00
539-803	200 mm (8")	±5 µm	3.5 m	£244.00
539-804	250 mm (10")	±5 µm	3.5 m	£247.00
539-805	300 mm (12")	±5 µm	3.5 m	£250.00
539-806	350 mm (14")	±5 µm	3.5 m	£251.00
539-807	400 mm (16")	±5 µm	3.5 m	£252.00
539-808	450 mm (18")	±5 µm	3.5 m	£253.00
539-809	500 mm (20")	±5 µm	3.5 m	£260.00
539-811	600 mm (24")	±7 µm	3.5 m	£266.00
539-813	700 mm (28")	±7 µm	3.5 m	£268.00
539-814	750 mm (30")	±7 µm	3.5 m	£273.00
539-815	800 mm (32")	±7 µm	3.5 m	£279.00
539-816	900 mm (36")	±7 µm	3.5 m	£287.00
539-817	1000 mm (40")	±7 µm	5 m	£302.00
539-818	1100 mm (44")	±7 µm	5 m	£317.00
539-819	1200 mm (48")	±7 µm	5 m	£335.00
539-820	1300 mm (52")	±7 µm	5 m	£357.00
539-821	1400 mm (56")	±7 µm	5 m	£374.00
539-822	1500 mm (60")	±7 µm	5 m	£399.00
539-823	1600 mm (64")	±7 µm	5 m	£454.00
539-824	1700 mm (68")	±7 µm	5 m	£482.00
539-825	1800 mm (72")	±7 µm	5 m	£509.00
539-860	2000 mm (80")	±10 µm	5 m	£627.00
539-861	2200 mm (88")	±10 µm	5 m	£644.00
539-862	2400 mm (96")	±10 µm	7 m	£759.00
539-863	2500 mm (100")	±10 µm	7 m	£782.00
539-864	2600 mm (104")	±10 µm	7 m	£805.00
539-865	2800 mm (112")	±10 µm	7 m	£863.00
539-866	3000 mm (120")	±10 µm	7 m	£1010.00

* L = Effective range (mm).

Multifunction Displays

SERIES 174 – 2/3-Axis KA Counters

- High performance/price ratio 2/3-axis counter with new 10-coordinate function and existing KL counter functions.
- The KA counter can be used a *standard counter* or a *lathe counter* by modifying parameters.
- Can be used with both the AT100 series optical scales and the AT715 electromagnetic induction scale.
- Text data can be output using the optional USB interface.
- The optional external RS-232C interface enables connection to a PC and a printer.

Technical Data

Scale input ports:	2, 3
Resolution	0.05 - 0.0001 mm (AT100 series) 0.01 - 0.001 mm (AT715 series)
Display:	8-digit LED and a negative [-] sign
Power supply:	240VAC ±10%, 50/60 Hz
Mass:	1.25 kg (2 axis), 1.33 kg (3 axis)

Functions

Zero-setting, preset, resolution setting, measurement direction setting, mm/inch conversion, diameter display, scale reference point setting *1, 1/2 calculation, coordinate system switching, bolt-hole circle machining*2, pitch machining, zero approach machining (inc mode), addition of 2-scale data*3, linearity error compensation, pitch error compensation*1, smoothing, memory backup, lower digit blanking out, external zero-setting*4, RS-232C interface unit*4, USB output*5, error message.

- *1 Only available when connecting with AT100 series.
- *2 Not available in single-axis use.
- *3 Only available for 3-axis model.
- *4 Code out unit (06AET993) is required.
- *5 Text can be output by interface unit and foot switch.

Optional Accessories

Code No.	Description	Price
06AET993	Code out unit	£182.00
06ACF941	Extension cable (2.2 m)	£138.00
937179T	Footswitch	£45.30



174-183E
(for 1- or 2-axis applications)



174-185E
(for 3-axis applications)

Specifications

Code No.	Scale input ports	Dimensions (WxDxH)	Price
174-183E	2	300x75x167 mm	£542.00
174-185E	3		£680.00